



BLUMENBECKER

WIR LIEFERN ANTWORTEN

AUTOMATION TECHNOLOGY

ENGINEERING

INDUSTRIAL TRADE

INDUSTRIAL SERVICE

TECHNOLOGY

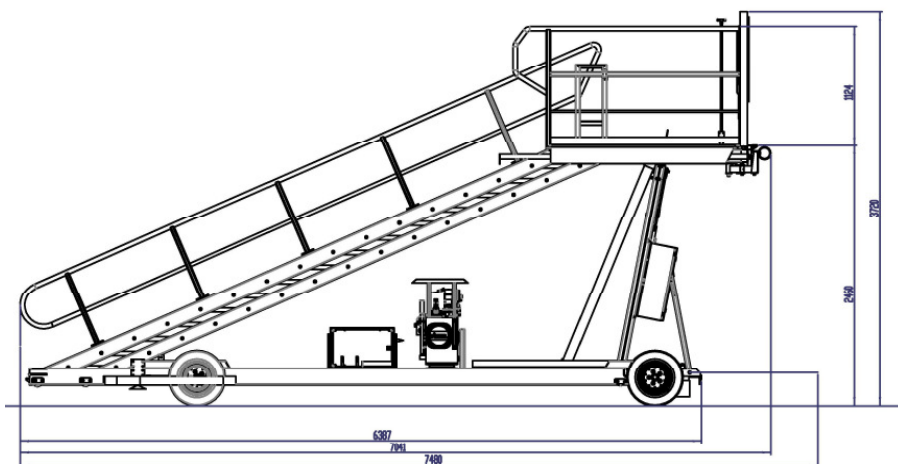
DATA SHEET

MAINTENANCE-/SERVICE STAIRS WST 17.001-H-P-FF



Image: WST 17-H-P-FF

FAST PLACEMENT SIMPLE OPERATION SAFE WORKING



Dimensions:

Total length (drawbar below):	approx. 7,480 mm
total length (drawbar above):	approx. 6,320 mm
Total width:	approx. 2,800 mm
Total height min.:	approx. 3,720 mm
Total height max.:	approx. 5,274 mm

Platform:

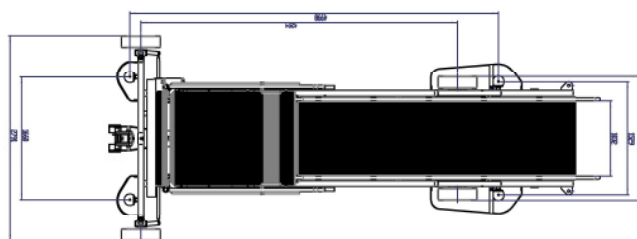
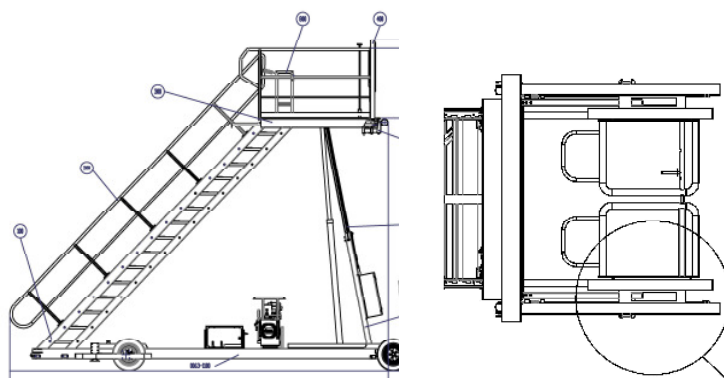
Width:	approx. 1,280 mm
Length:	approx. 1,800 mm
lowest platform height:	approx. 2,460 mm
highest platform height:	approx. 4,150 mm

Performance:

max. drive speed:	25 km/h
max. wind speed:	40 kN
Operating voltage:	24 V
Charging voltage	
Primary/Secondary:	230 V/24 V

Weight measurements:

Total weight:	approx. 2,380 kg
max. permissible payload:	250 kg/m ²



YOUR CONTACT PERSON

Sales airport ground equipment

T: +49 34636 714-0

F: +49 34636 714-29

FOR INTERNET SITE

